

# Modular pressure balance valve – 4 ports with diverter

## 44150050 - automatic diverter w/brass link

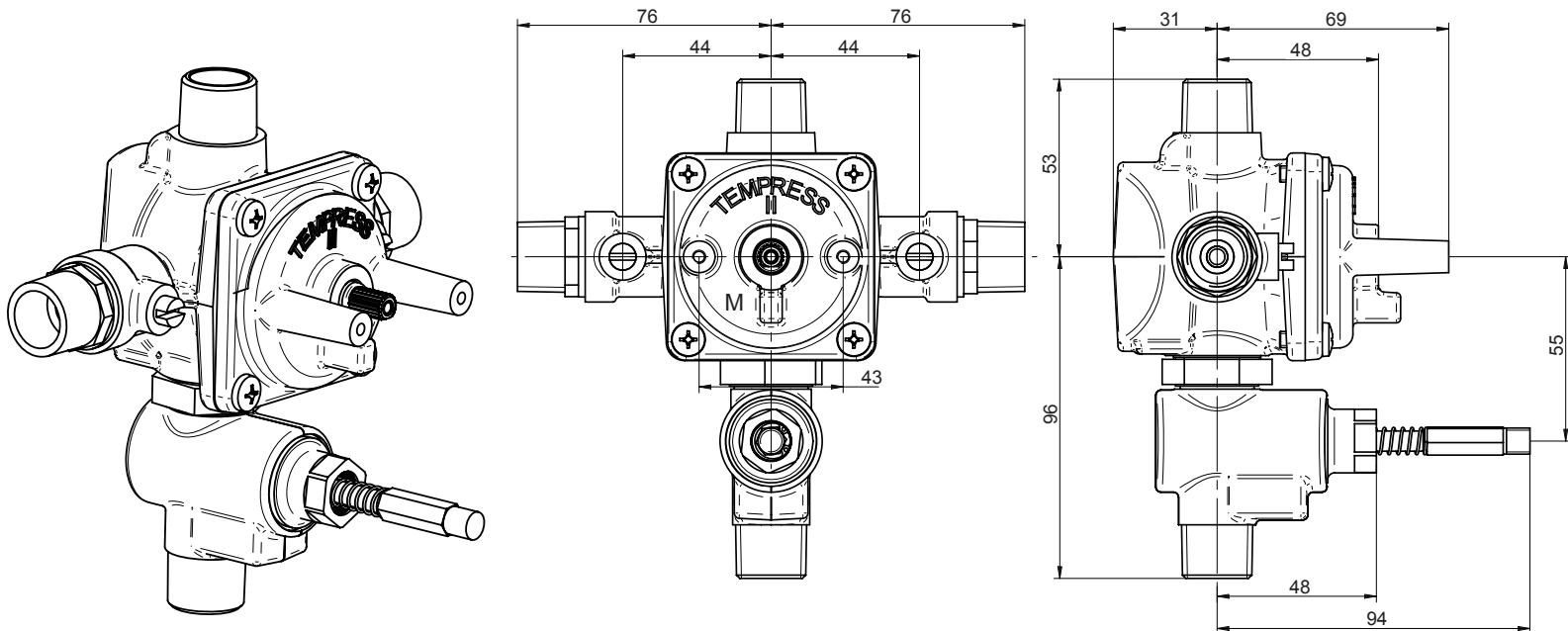


### Description

The new modular pressure balance rough-in valve replaces the existing valve and was developed with several new valuable features. Tempress pressure balance valves offer protection from scalding and cold shocks. The rotating handle control provides the user with precise temperature control and a wide comfort zone.

### Features and Benefits

- Built-in service ball stops for convenience
- Check valves to prevent cross flow, reduce water hammer and direct water to cartridge
- ½" NPT male-C x C universal connections
- Protection against scalding and cold water shock provided by the diaphragm which compensates for water pressure fluctuations
- Temperature control within 3.6°F (2°C) of set point even with a 50% water pressure drop
- Reversible cartridge allows back to back installation, eliminating additional piping
- Shallow valve body suitable for thin wall installations
- Reduced stop to stop dimension allows for smaller escutcheons (trims)
- Elimination of inserts inside the valve cavity reduces replacement parts and trouble shooting
- Reduced overall dimensions thanks to a redesign of the valve and addition of a captive inlet O-ring to divert water
- Visual cartridge alignment and seating facilitates cartridge replacement



### Technical Data

Min. operating pressure: 20 psi (140KPa)  
Max. operating pressure: 125 psi (860 KPa)  
Max. burst pressure: 500 psi (3450 KPa)  
Max. hot water temperature: 180°F (80°C)  
Flow rate

ID Diverter (automatic): Tub 6.5 USGPM (25 l/min) @ 50 psi (345 KPa)  
Shower 5.3 USGPM (20 l/min) @ 50 psi (345 KPa)  
ID Diverter (manual): Tub 5.3 USGPM (20 l/min) @ 50 psi (345 KPa)  
Shower 4.7 USGPM (18 l/min) @ 50 psi (345 KPa)

### Approvals

Approved to CSA B125, ASME A112.18.1,  
and ASSE 1016 standards.



Product and specifications subject to change without notice.