

# Modular pressure balance valve – 3 ports

44150320

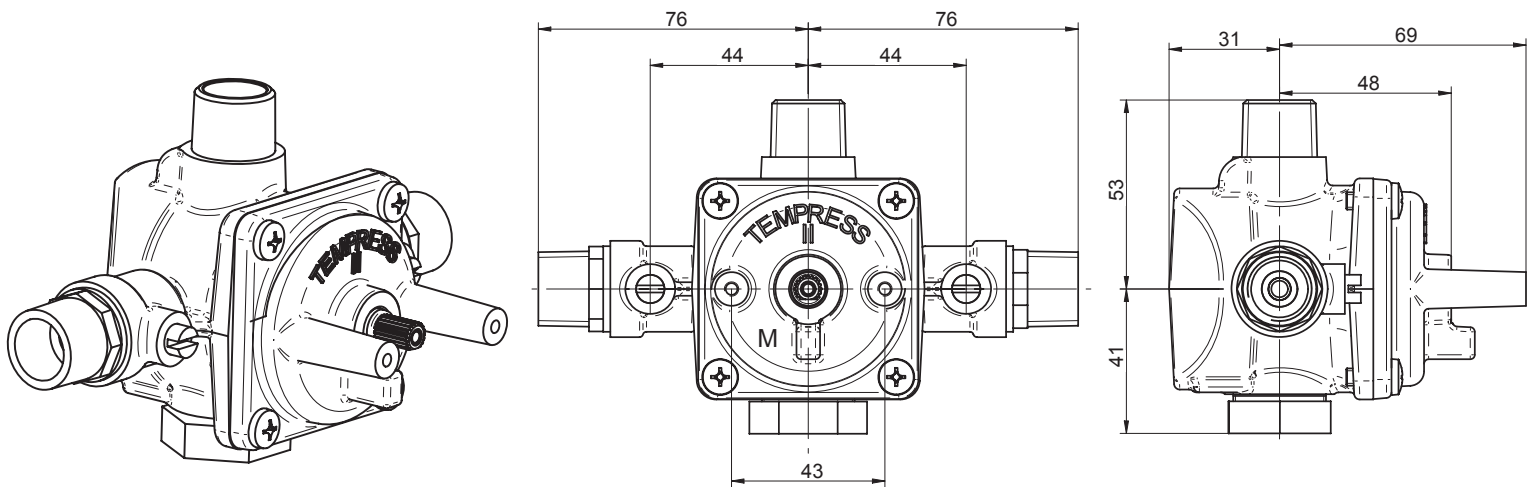


## Description

The new modular pressure balance rough-in valve replaces the existing valve and offers the convenience of a second outlet that can be used with a diverter<sup>1</sup>, a dual outlet<sup>2</sup> or can be capped off. Tempress pressure balance valves offer protection from scalding and cold shocks. The rotating handle control provides the user with precise temperature control and a wide comfort zone.

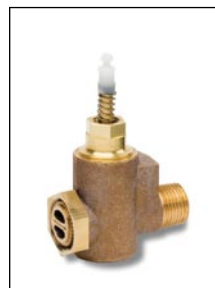
## Features and Benefits

- Built-in service ball stops for convenience
- Check valves to prevent cross flow, reduce water hammer and direct water to cartridge
- ½" NPT male-C x C universal connections
- Protection against scalding and cold water shock provided by the diaphragm which compensates for water pressure fluctuations
- Temperature control within 3.6°F (2°C) of set point even with a 50% water pressure drop
- Reversible cartridge allows back to back installation, eliminating additional piping
- Shallow valve body suitable for thin wall installations
- Reduced stop to stop dimension allows for smaller escutcheons (trims)
- Elimination of inserts inside the valve cavity reduces replacement parts and trouble shooting
- Reduced overall dimensions thanks to a redesign of the valve and addition of a captive inlet O-ring to divert water
- Visual cartridge alignment and seating facilitates cartridge replacement

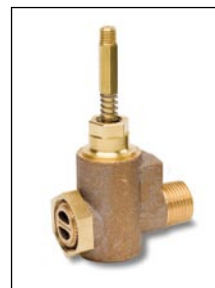


## Optional Fittings

- 1 31150010 Automatic diverter assembly w/plastic link
- 1 31150015 Automatic diverter assembly w/brass link
- 1 31150005 Manual Diverter assembly
- 2 44150330 Dual outlet fitting



31150010



31150015



31150005



44150330

## Technical Data

Min. operating pressure: 20 psi (140KPa)  
Max. operating pressure: 125 psi (860 KPa)  
Max. burst pressure: 500 psi (3450 KPa)  
Max. hot water temperature : 180°F (80°C)  
Flow rate – Shower 5.3 USGPM (20 l/min) @ 50 psi (345 KPa)

## Approvals

Approved to CSA B125,  
ASME A112.18.1, and  
ASSE 1016 standards.



Product and specifications subject to change without notice.